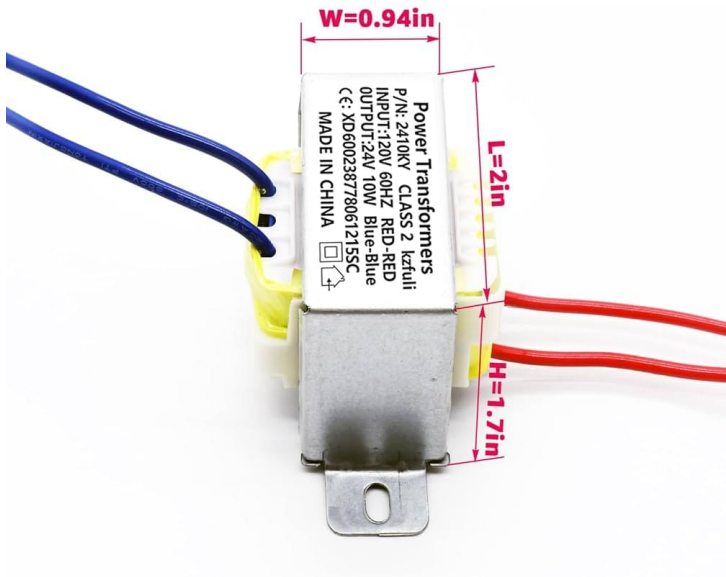


PRODUCT CATALOGUE

TRANSFORMER 10502-100028 24AC		Specifications	
		Category	All
		Sale Price	\$ 4,20
		Internal Reference	10502-10002824AC
		Description	